



# Exploded View Parts List

Phantom 1000

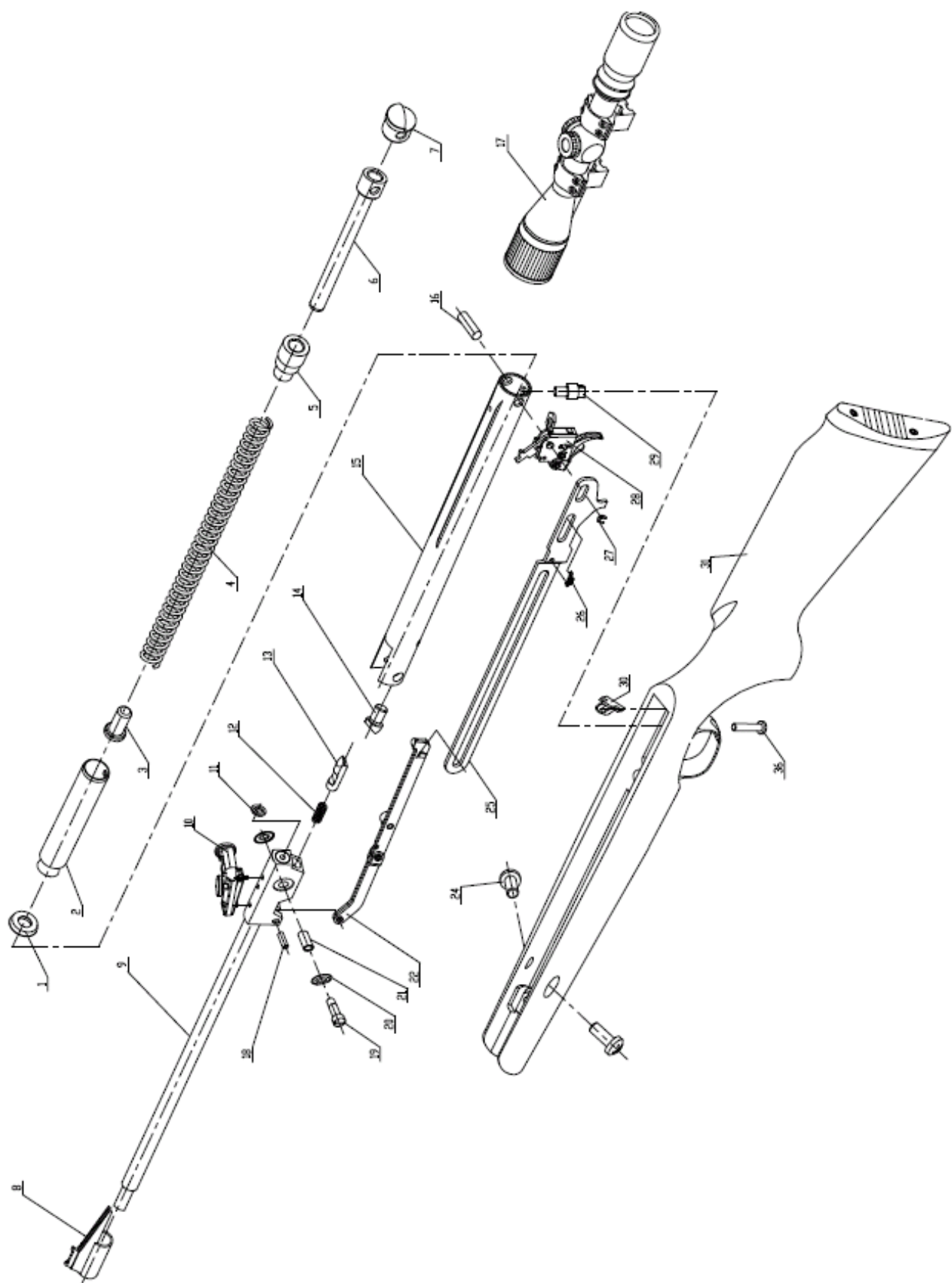
CS1K77/CS1K77X

.177 (4.5mm) Caliber

Crosman Corporation  
7629 Routes 5 & 20  
East Bloomfield, NY 14443

Phone: (800) 724-7486  
Parts Order Fax: (585) 657-5405

[www.crosman.com](http://www.crosman.com)



| Item Call Out # | Part Number        | Description                                   | CS1K77<br>CS1K77X |
|-----------------|--------------------|---|-------------------|
| 1               | B18-04-1A          | Piston Seal                                   | 1                 |
| 2               | B18-04-100A        | Piston  | 1                 |
| 3               | B18-00-3           | Front Spring Guide                            | 1                 |
| 4               | B18-00-4D          | Piston Spring                                 | 1                 |
| 5               | B18-00-6           | Back Spring Guide                             | 1                 |
| 6               | B19-00-100         | Spring Guide Assembly                         | 1                 |
| 7               | B19-8-00-1         | Tube Cover – for synthetic stock              | 1                 |
| 8               | B19-2-01-1         | Front Sight                                   | 1                 |
| 9               | B19-2-01-100       | Barrel Assembly                               | 1                 |
| 10              | B19-2-02-00        | Rear Sight                                    | 1                 |
| 11              | B20-00-3           | Breach Seal                                   | 1                 |
| 12              | B18-01-3A          | Jam Spring                                    | 1                 |
| 13              | B18-01-2           | Alive Jam                                     | 1                 |
| 14              | B18-00-2           | Detent (Order with B19-2-03-00 only)          | 1                 |
| 15              | B19-2-03-00        | Compression Tube Assembly                     | 1                 |
| 16              | B18-00-7           | Fixed Pin                                     | 1                 |
| 17              | 4x32mm Scope       | 4x32mm Scope (only for X models) w/ 2pc Rings | 1                 |
| 18              | B12-00-1A          | Link Pin                                      | 1                 |
| 19              | B19-2-00-2         | Break Bolt                                    | 1                 |
| 20              | B18-00-15A         | Washer  | 2                 |
| 21              | B18-01-1A          | Bushing                                       | 1                 |
| 22              | B18-07-00          | Lever Assembly                                | 1                 |
| 24              | GBT 818-2000-M5×14 | Pan Head Screws - nylok                       | 2                 |
| 25              | B18-00-5           | Bear Trap Lever                               | 1                 |
| 26              | B18-00-12A         | Safety Spring                                 | 1                 |
| 27              | GB896-86-3         | E-Ring  | 1                 |
| 28              | B18-05-00          | Trigger Pack Assembly                         | 1                 |
| 29              | B18-00-9           | Stock Link Pin                                | 1                 |
| 30              | B19-2-06-100       | Stock Lug Brace                               | 1                 |
| 31              | B19-8-01-00        | Synthetic Stock and Butt Plate Assembly       | 1                 |
| 36              | GB823-88-M6X20     | Screw, Trigger Guard Rear - nylok             | 1                 |

For Current Pricing Contact Crosman Customer Service at (800) 724-7486.

This parts list is intended to be an informational guide in ordering parts. It is not instructional material and we therefore assume no responsibility for those who use without proper factory training.

Please order by part number and description.

Check or money order for the total price must accompany the order.